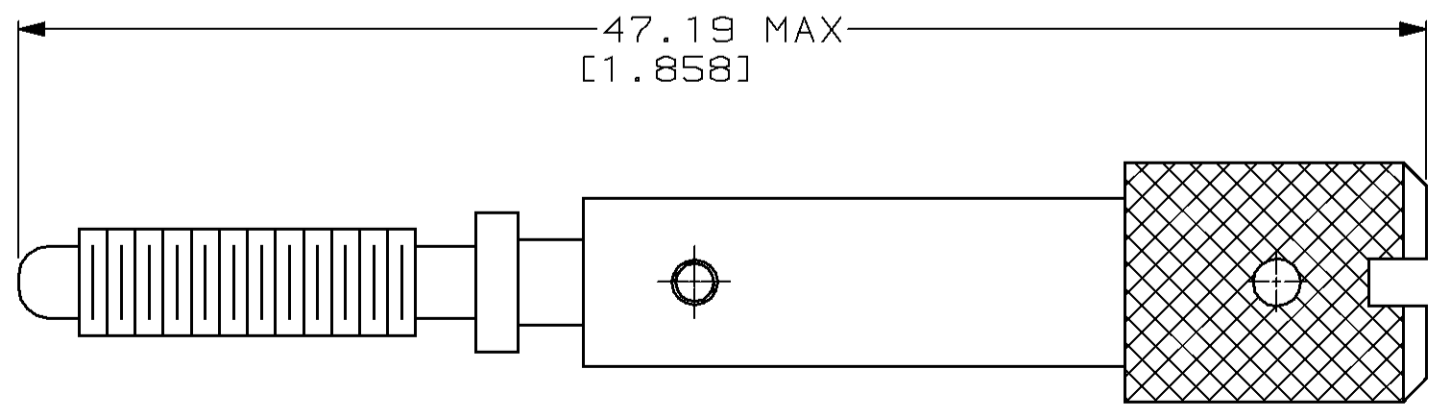
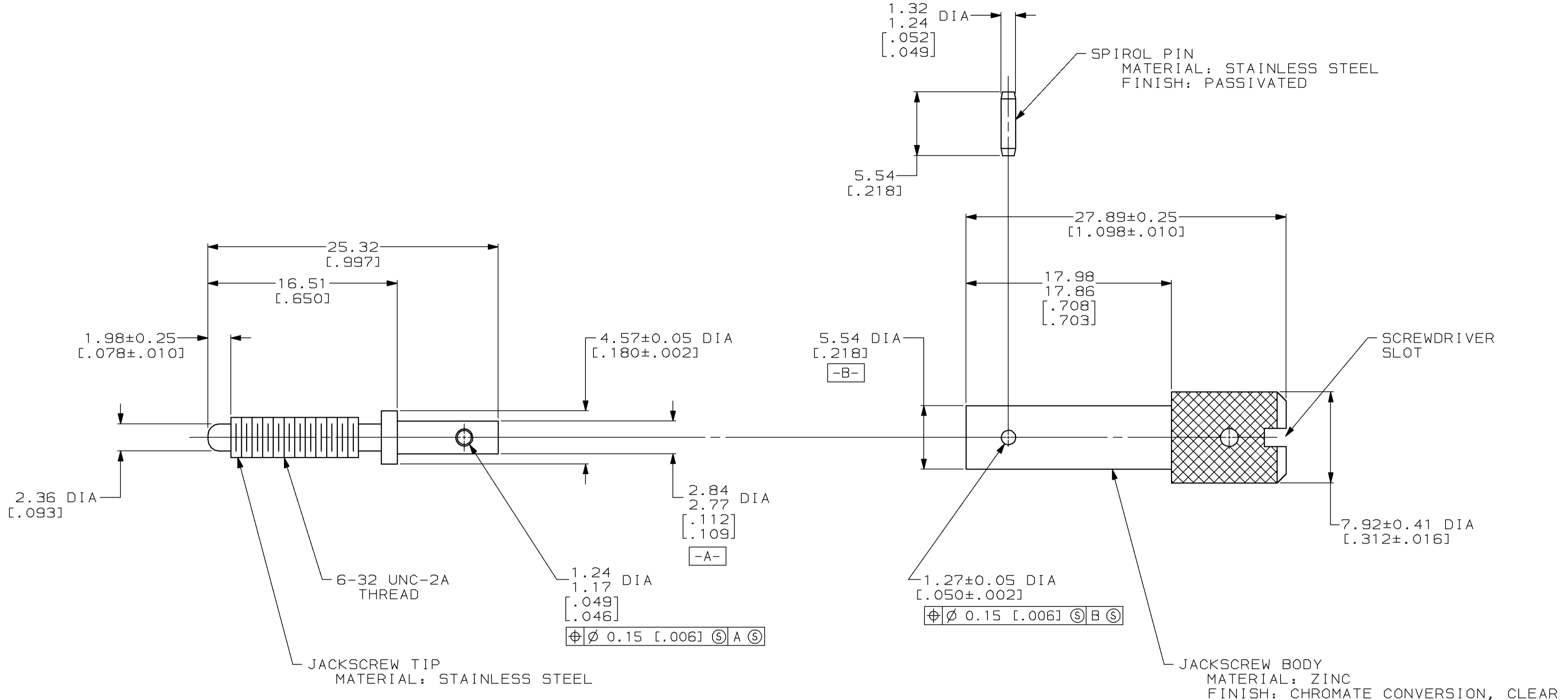


THIS DRAWING IS UNPUBLISHED. RELEASED FOR PUBLICATION
 BY AMP INCORPORATED. ALL RIGHTS RESERVED.

LOC		DIST		REVISIONS			
P	LTR	DESCRIPTION	DATE	DWN	APVD		
BD	36	E	06 DEC 95	-	-		
		REDRAWN PER EC 0020-1246-95				06 DEC 95	-



203618-1
PART NUMBER

THIS DRAWING IS A CONTROLLED DOCUMENT FOR AMP INCORPORATED. IT IS SUBJECT TO CHANGE AND THE CONTROLLING ENGINEERING ORGANIZATION SHOULD BE CONTACTED FOR THE LATEST REVISION.		DWN C. DORWART 06 DEC 95	AMP Incorporated Harrisburg, PA 17105-3608
		CHK R. STONE 15 DEC 95	
		APVD G. STEINHAUER 18 JAN 96	NAME MALE JACKSCREW KIT, UNASSEMBLED, SHORT FOR GROUNDING CONN, M SERIES
DIMENSIONS: mm [INCHES]		PRODUCT SPEC -	SIZE A2
TOLERANCES UNLESS OTHERWISE SPECIFIED: 0 PLC ±- 1 PLC ±- 2 PLC ±0.13 [.005] 3 PLC ±- 4 PLC ±- ANGLES ±- FINISH -		APPLICATION SPEC -	CAGE CODE 00779
MATERIAL -		WEIGHT -	DRAWING NO C-203618
		CUSTOMER DRAWING	SCALE 4:1 SHEET 1 OF 1 REV E